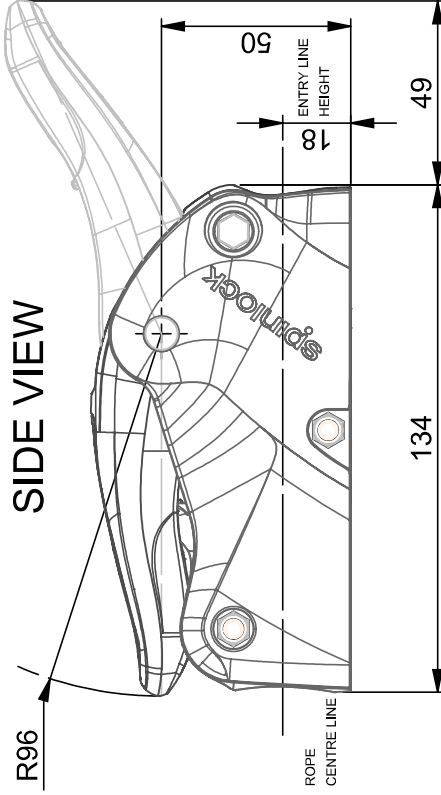
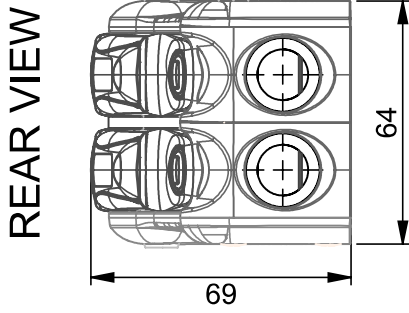


ALLOW SUFFICIENT SPACE FOR HANDLE ROTATION.

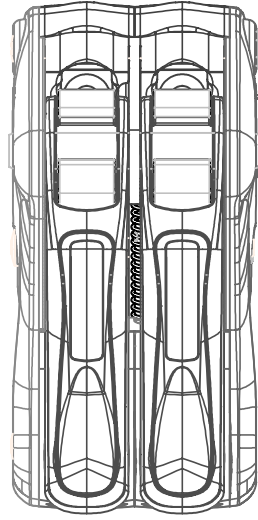


SIDE VIEW

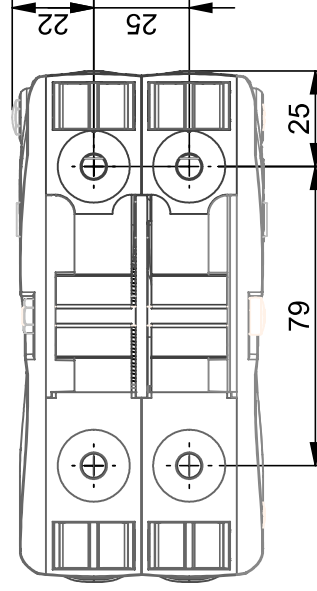


REAR VIEW

TOP VIEW



BOTTOM VIEW



**WARNING:**  
IF USING AS A DRILL TEMPLATE, ENSURE PRINTER SETTINGS ARE ADJUSTED TO ACCOUNT FOR THE DRAWING SCALE AND ALWAYS CHECK DIMENSIONS BEFORE DRILLING.



**COPYRIGHT:**  
THIS DRAWING IS PROTECTED BY COPYRIGHT. ANY USE IS FORBIDDEN WITHOUT THE WRITTEN CONSENT OF SPINLOCK.

SCALE  
**1:2**

ALL DIMENSIONS IN MM  
PAGE SIZE  
**A4**

WEIGHT  
**358g**

FASTENERS  
**M6 CSK x 4**

PRODUCT CODE  
**XAS0408/2**

PRODUCT CODE  
**XAS0612/2**

LINE SIZE  
**4-8mm**

LINE SIZE  
**6-12mm**

MAX LOAD  
**450kg**

MAX LOAD  
**575kg**