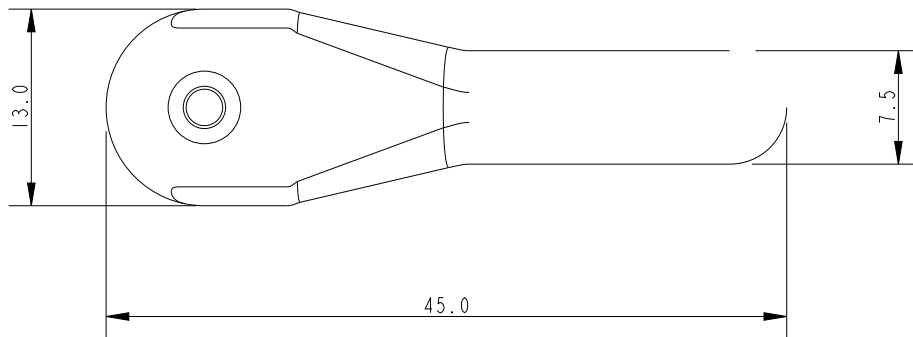
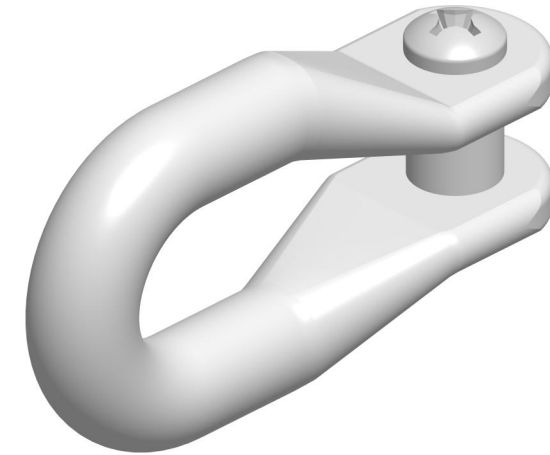


SCALE 2:1



Specification			
Width mm	Length mm	Opening mm	Weight g
25	45	6	3.5

**DIMENSIONS FOR REFERENCE ONLY**  
 allenbrothers.co.uk  
 +44(0)1621 772477

Title	Description
<b>A-449-REF</b>	<b>Nylon Sail Shackle</b>