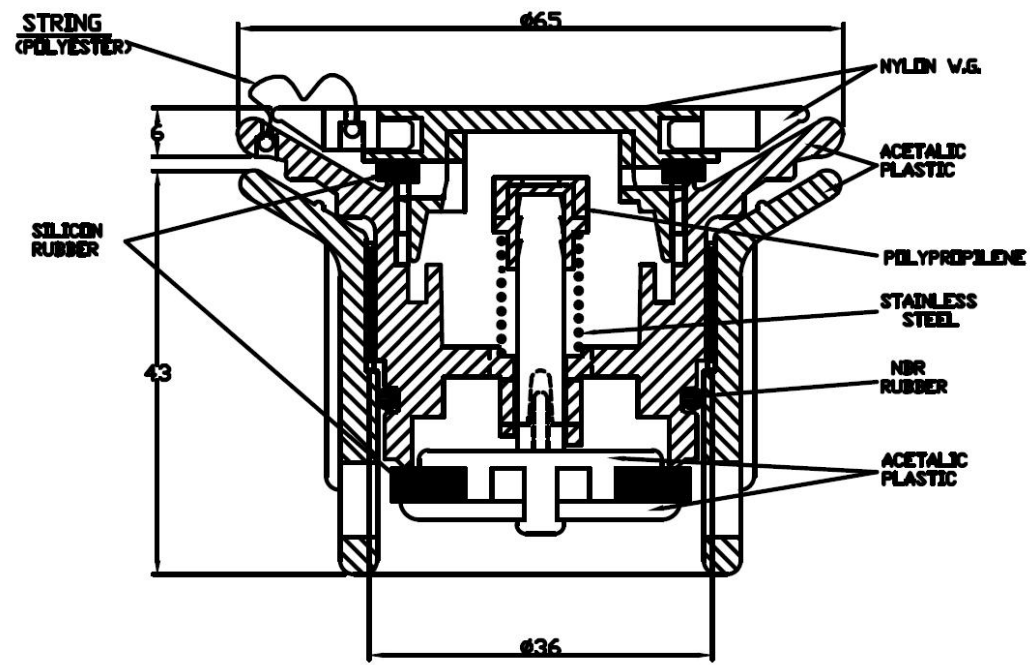
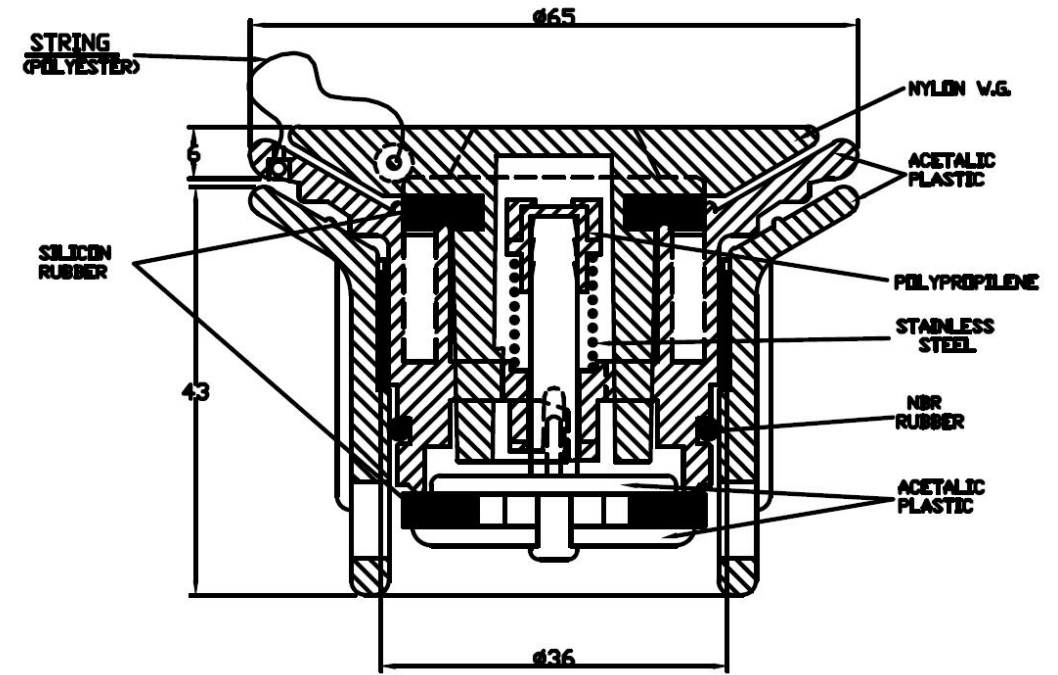


BRAVO 2000



BRAVO 2001



Key for valve

Art. 721 / A942010N



BRAVO 2000



BRAVO 2001



BRAVO 2014



BRAVO 2014 + MESH


INSTALLATION

1. Hole required for valve installation $\varnothing 36 \pm 0.5$ mm
 2. Tightening torque = 25 Nm
- The valve assembly should be re-torqued after at least 12 hours
3. The user's responsibility to ensure that any fluid used during the installation or operation are compatible with this valve

APPLICABLE STANDARD ISO 15738:2002(E)

VALVES

ITEM	P/N	COLOR	PRINCIPLE OPENING
BRAVO 2000	A102705N	BLACK	PUSH-TURN
BRAVO 2000	A102706N	GREY	PUSH-TURN
BRAVO 2001	A102701N	BLACK	PUSH-TURN
BRAVO 2001	A102700N	GREY	PUSH-TURN
BRAVO 2014	A102716N	BLACK	PUSH-TURN
BRAVO 2014	A102717N	GREY	PUSH-TURN
BRAVO 2014 + MESH	A102718N	GREY	PUSH-TURN

Progettato P.D.	Controllato A.A.	Cod. Componente SEE TABLE	Data 06/08/20	Materiale
 SCOPREGA			BRAVO 2000-2001-2014	
			A1027XXN	