

# Jabsco

a xylem brand

## Technical Data Sheet Par-Max 1 Freshwater Delivery Pump Model: 42630-3512-3C

This document provides technical information relating to this specific Jabsco model. General information, references and further resource locations are also included.

Jabsco pumps are designed to be durable and high-performing – capable of providing years of satisfactory service in a variety of marine applications.

### Features -

- Enclosed motor
- Integrated Pressure Switch
- Vibration & Noise reducing mounting
- Self-priming
- Runs Dry without Damage

### Contents -

Pump Unit:	PARMAX 1 12V 1GPM 35PSI (PARMAX 1 12V 3.8LPM 2.4BAR)
Port Fittings:	2 x 3/8" (10mm) Straight Hosebarb 2 x 3/8" ID to 1/2" HB Adapter (10 to 12.7mm)
Strainer:	Not Included
Trigger Nozzle:	Not applicable
Adapter 1:	Not applicable
Adapter 2:	Not applicable
Hosecoil:	Not applicable
IOM:	Included (PN 81000029)
Carton Type:	4 Color Aftermarket
Master Pack Qty:	6

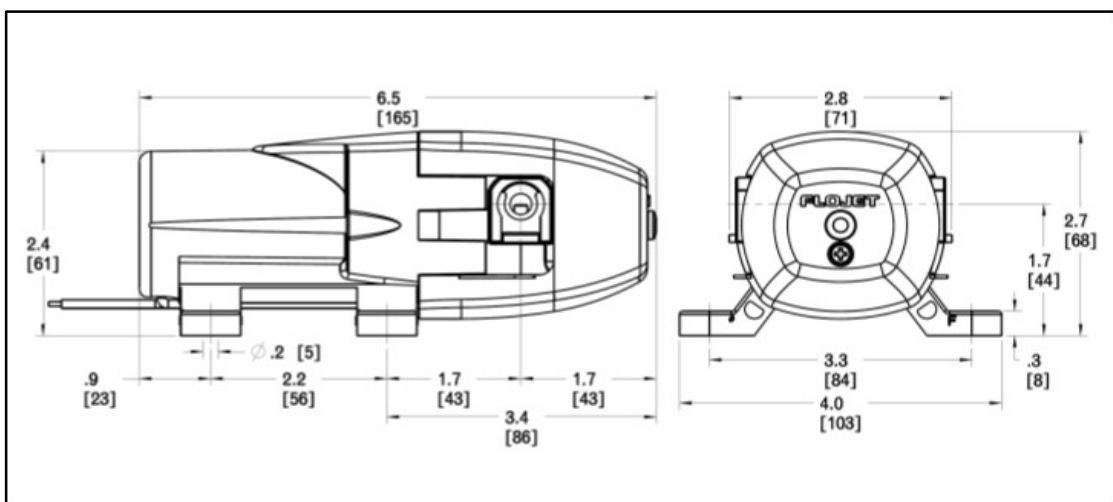


### Dimensional Drawing -

#### Notes:

Inches [mm]

Additional envelope space required to allow port clips to extend, wires to bend, port fittings and hoses, etc.



## Specifications

### General -

Part Number:	42630-3512-3C
Aftermarket replacement:	42630-3512-3C
Replaces: (closest matches)	42630-2900     42630-2992-P 42630-3992-P
Application:	Marine Water Pressure System
Design:	2 Chamber Diaphragm Quick Connect Ports TENV Permanent Magnet Motor Noise Dampening Baseplate Thermal Motor Protection (TCO)

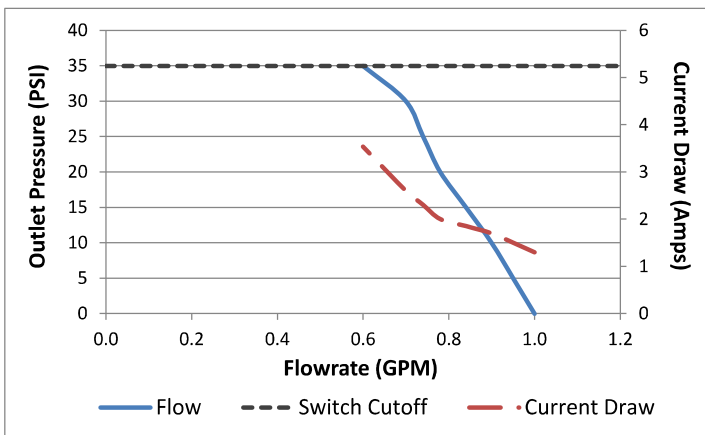
### Hydraulic Performance (at nominal voltage) -

Open Flowrate:	1 GPM open flow (3.8 LPM)
Pressure Switch Cut-Off:	35 PSI (2.4 BAR)
Max Operating Pressure:	35 PSI (2.4 BAR)
Max Inlet Pressure:	0 PSI (0 BAR)
Internal Bypass:	None
Fluid Temperature Range:	32F - 110F (0C - 43C)
Self-Priming Capability:	Up to 6ft (1.8m) dry prime
Run-Dry Capable:	Yes

### Compliance -

CE:	Yes
RCM:	Yes
ISO 8846 Ignition Protected:	Yes
Country of Origin:	China
HTS Code:	8413.50.0050

### Flowcurve -



Representative curve of unit operated at nominal voltage  
Performance will vary somewhat unit to unit  
Switch cut-off represents the point on the flowcurve at which the integrated pressure switch will turn off the pump

### Materials (\*designates wetted path) -

Upper Housing*:	Fiber reinforced polypropylene
Lower Housing:	Fiber reinforced Polypropylene
Check Valve Retainer*:	Polypropylene
Diaphragm*:	Santoprene
Check Valves*:	EPDM
Switch diaphragm*:	EPDM
Bypass Diaphragm*:	N/A
PH Seals*:	EPDM
PH Fasteners:	Stainless Steel
Baseplate:	N/A - slide in rubber feet
Motor Casing:	Enclosed in protective plastic casing

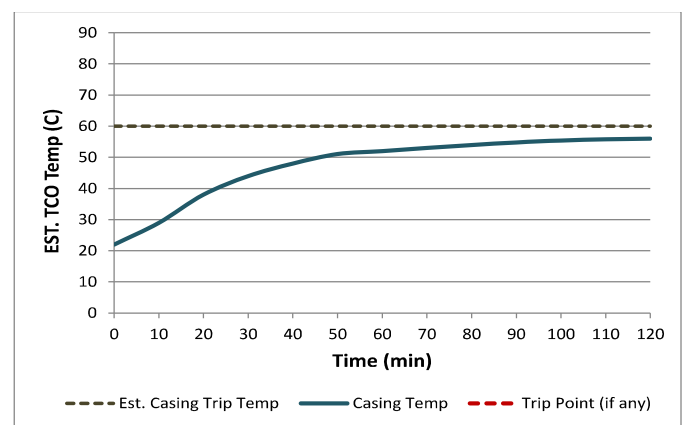
### Electrical Performance (at nominal voltage) -

Nominal Voltage:	12 VDC
Voltage Range:	9 VDC - 13.6 VDC
Max Current Draw:	3.5 Amps @ 35 PSI (2.4 BAR)
Fuse Size:	4 Amps (not included)
Duty Cycle:	Intermittent (See heat-rise chart)
Leads:	6" (152mm), 18 AWG (1mm <sup>2</sup> )
Wire Connection:	Stripped Wire

### Other Information -

Operating Environment:	Marine
Ambient Temp Range:	32F - 110F (0C - 43C)
IP Rating:	IPX4
Carton Dimensions:	9.5x5x6" (241x127x152mm)
Master Pack Dimensions:	27x13x9.25" (686x330x235mm)
Pump Weight:	1.4 lbs (0.6 kg)
UPC Code:	671880841757

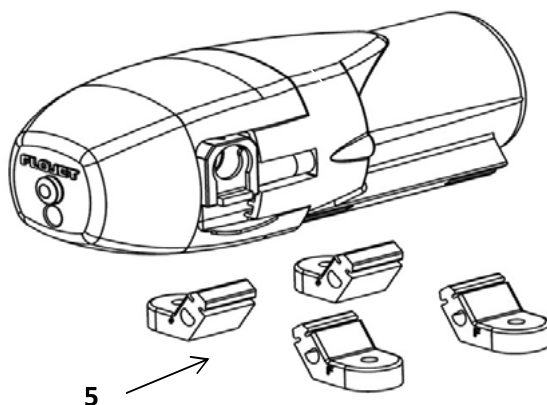
### Heat-Rise -



Tested @ ambient temp of 70F (21.1C) @ max run pressure  
Trip point shown is casing temp at time of TCO trip  
If there is concern about the ability of the pump to run continuously for long periods of time then in-application testing is highly recommended.

## Pump Service Kits & Spares

Item	Part Number	Contents
1. Port Clips	Not offered	
2. Switch Kit	Not offered	
3. Check Valve Assembly	Not offered	
4. Diaphragm/Drive Assembly	Not offered	
5. Baseplate/Mounting Feet	20717001A	Rubber mounting feet (qty 4)



## Accessories (see website for further info)

Item	Kit PN	Description	Notes
<b>Washdown Trigger Nozzles</b>	30703-1000	Regular	Quick release interface, includes EU & US Adapters
	30703-1001	Deluxe (built-in flow adjustment)	Quick release interface, includes EU & US Adapters
<b>Washdown Trigger Nozzle Hose Adapters</b>	34012-8001	US Garden Hose Thread	3/4" Female GHT Adaptor for trigger nozzle
	98022-0001	Crimp (EU Style)	Adapts trigger nozzle to crimp onto a hose
<b>Washdown Hose Coils</b>	31910-1225	Regular	25' x .35" ID (6.2m x 9mm) Hosecoil
	31910-1226	Deluxe (Heavy duty/larger ID)	25' x 1/2" ID (6.2m x 13mm) Hosecoil
<b>Freshwater Delivery System Accumulator Tanks</b>	30573-0003	0.65 Liter tank, reinforced plastic	Used to smooth out flow, reduce cycling for freshwater water pressure systems. See website for more details. Do not use with variable speed
	30573-0000	1 Liter tank, reinforced plastic	
	18810-0000	2 Gal tank, coated steel	
<b>Strainers</b> (Required in all applications)	46400-0030	In-line, Bayonet style, QC	QC = Quick Connect
	46400-9500	90 degree 3-5 GPM QC	Place before inlet of the pump so as to filter the incoming water and protect the check valves and pressure switch from getting clogged Other options available available as well. See website for more detail.
	46400-0711	90 degree 6 GPM QC	
	46400-0003	In-line, 3/8" Hosebarb	
	46400-0002	In-line, 1/2" Hosebarb	
	46400-0000	In-line, 3/4" Hosebarb	
<b>Port Fittings</b>	1877K-2222S	2-5 GPM Models: 1/2" Hosebarb	
	1877K-2242S	2-5 GPM Models: 1/2" Threaded	
	1877K-3222S	2-5 GPM Models: 3/4" Hosebarb	
	1877K-3211S	2-5 GPM Models: 3/4" GHT	
	1877K-3242S	6 GPM Models: 1/2" Threaded	
	1877K-3322S	6 GPM Models: 3/4" Hosebarb	
	1877K-3311S	6 GPM Models: 3/4" GHT	
<b>Washdown Deck Fitting</b>	31911-0000	Stainless Steel Deck Fitting	Quick release mount for washdown hose on deck
<b>Aquafilta</b> (water pressure systems)	59000-1000	Freshwater filtration system	EU only
	59000-0000	Replacement cartridge	EU only

## Marine Application Notes

### Washdown -

Used for on-demand spray to clean anchors, buoys, fishing areas, etc. Typically the higher the flow and the higher the pressure the better. Sometimes used with a Y valve to serve a dual purpose of livewell circulation. Common accessories include strainers, trigger nozzles, hoses, and deck mount fittings. Sometimes plumbed off of the livewell inlet to reduce number of thru-hull fittings.

### Freshwater Delivery Pumps -

Installed to provide on-demand flow and pressure of freshwater to galleys, showers, washing machines, etc. Typical rule of thumb for sizing is 1 GPM per outlet. 40-60 psi (2.8 - 4.1 Bar) options provide similar pressure to that in a home on land. These pumps are equipped with a bypass which enables smoother flow and decreases cycling. Common accessories include strainers, water pressure inlet regulators, and accumulator tanks.

### Shower-Drain/Livewell/General Purpose -

These pumps are configured without a pressure switch and are used for a variety of different purposes including removal of drain water from showers or the circulating/transfer of water in bait tanks.

### Auxillary Bilge/General Purpose -

Configured without a pressure switch and also with elastomers specifically chosen to provide greater chemical compatibility and protection against fluids such as diesel fuel and motor oils.

## Available Jabsco Options

In addition to the unit described in this data-sheet Jabsco also offers the following configurations (will vary somewhat by region) and options to suit above applications:

Voltages:	12 & 24 VDC options (for AC options please lookup Flojet products)
Flowrate Range:	1 - 6 GPM (3.8 - 22.7 LPM)
Switch Setting Range:	25 - 70 PSI options (1.7 - 4.8 Bar)
Pump Configurations:	Washdown ("kit" versions include a hose-coil) Freshwater Delivery Pumps Shower-Drain/Livewell/General-Purpose Pumps Bilge/General Purpose Pumps
OEM/Special Options:	We can configure specific product or kitting levels upon request. Minimum annual volume requirements will apply. Please send us an enquiry and we will evaluate.

## Installation and Operation

For guidance on proper installation and operation of this pump, as well as for any warnings or cautions involving use, please consult the appropriate IOM for the pump. Printed IOM's are supplied with the pumps and are also available online..

## Resources & Contact Information

IOM:	On website; hard copies with pumps	Customer Service:	Refer to contact info at bottom of page
Warranty:	Information included in IOM	Website:	<a href="http://www.xylem.com/Jabsco">www.xylem.com/Jabsco</a>

**Note:** JabscoShop.com, can be a good resource to purchase direct items such as low use replacement parts. However, the best way to find our product is through our extensive and knowledgeable network of distributors, dealers, and retailers.

**Note:** Specifications provided for guidance only. We reserve the right to change specifications without prior notice.

**USA** 17943 Cowan, Irvine, CA 92614  
Tel: +1 949 608 3900

**JPN** 3-21-10, Shin - Yokohama Kohoku-ku, Yokohama 222  
Tel: +39 039 685 2323

**UK** Bingley Road, Hoddesdon, Herfordshire, EN11 0BU  
Tel: +44 (0) 45 475 8906

**IT** Via Tommaseo, 6, 20059, Vimercate, Milano  
Tel: +39 (0) 39 685 2323

**DE** Oststrasse 28, 22844 Norderstedt  
Tel: +49 (0) 40 535373-0

**AU** 2/2 Capicure Dr, Eastern Creek NSW 2766  
Tel: +61 2 9832 6200

PN: DS426303512C  
REVISION: 3/2/2021

[www.xylem.com/jabsco](http://www.xylem.com/jabsco)

