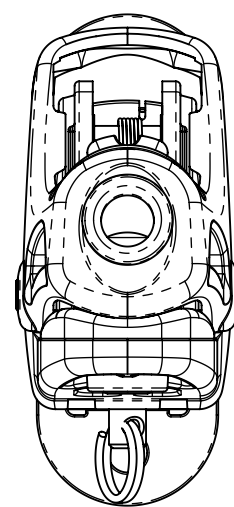
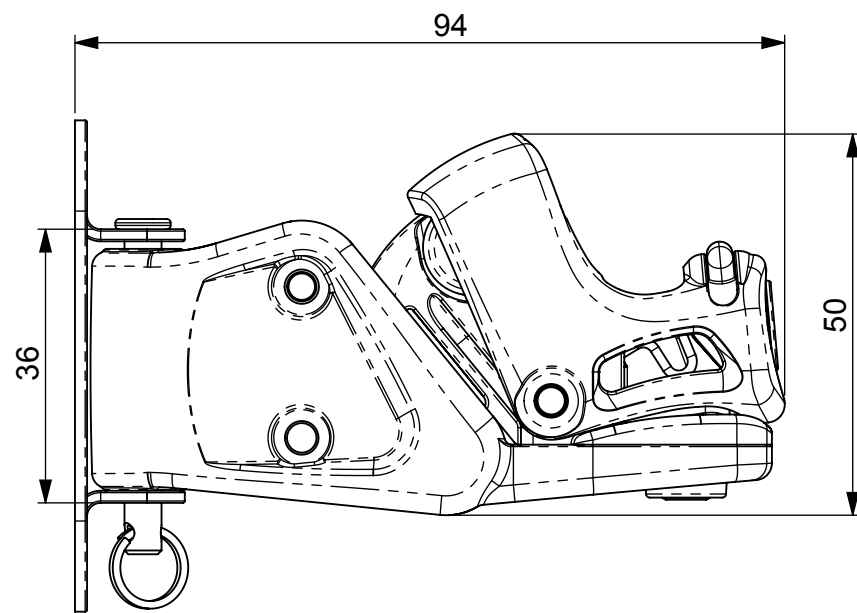


Ø 5.20 TYP



<b>spinlock</b>
SPINLOCK REFERENCE <b>PXR0206/VP</b>
SCALE 1:1 ALL DIMENSIONS IN mm
FASTENERS 2 x M5 (2 x 3/16") OR RIVETS