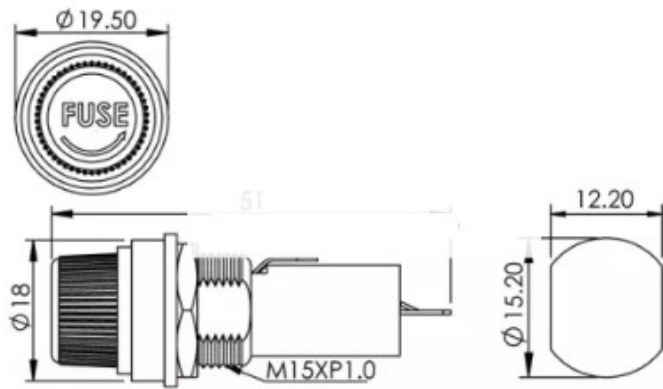


Fuse Holder



Bakelite panel mount fuse holder with water resistant screw cap and solder terminal. It is suitable for 6.3X32mm (AGC/ATE) or 6.3x30mm (JMC/JTG) fuses.



Fuse Holder with Screw Cap

FEATURES

- For 6.3x32mm (AGC or ATE) or 6.3x30mm (JMC or JTG) fuses
- Bakelite body
- Water-resistant screw cap
- Solder terminal