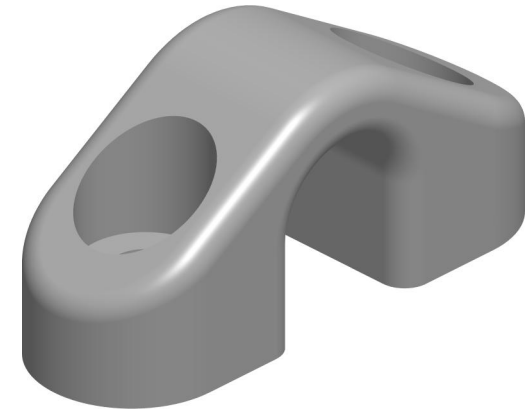
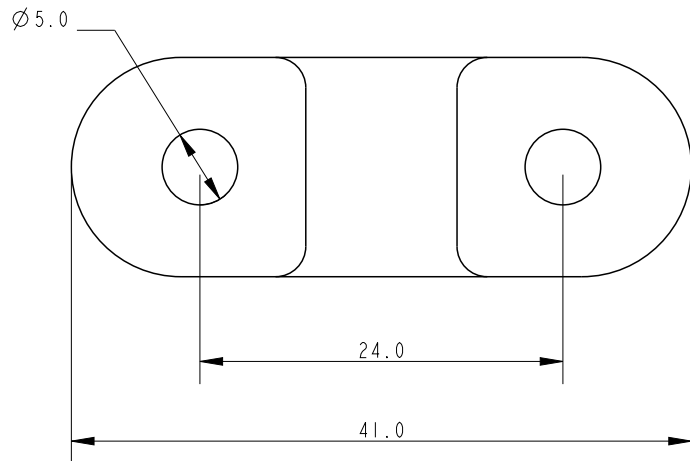


SCALE 2:1



SCALE 2:1



Specification			
Inside Dia mm	Fixing Hole Size mm	Fixing Hole Centres mm	Weight g
9	4	23	6

**DIMENSIONS FOR REFERENCE ONLY**  
 allenbrothers.co.uk  
 +44(0)1621 772477

Title	Description
A-282-REF	Open Base Fairlead