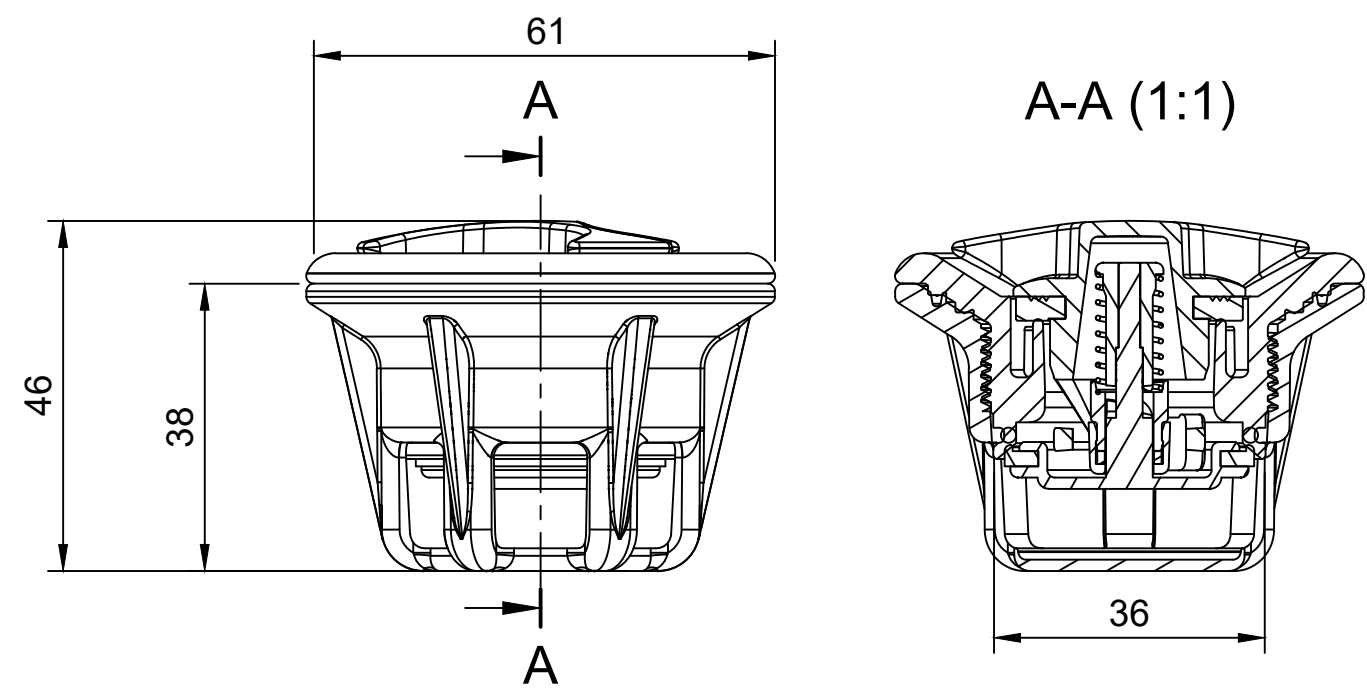
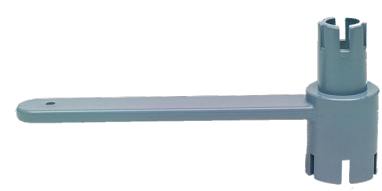
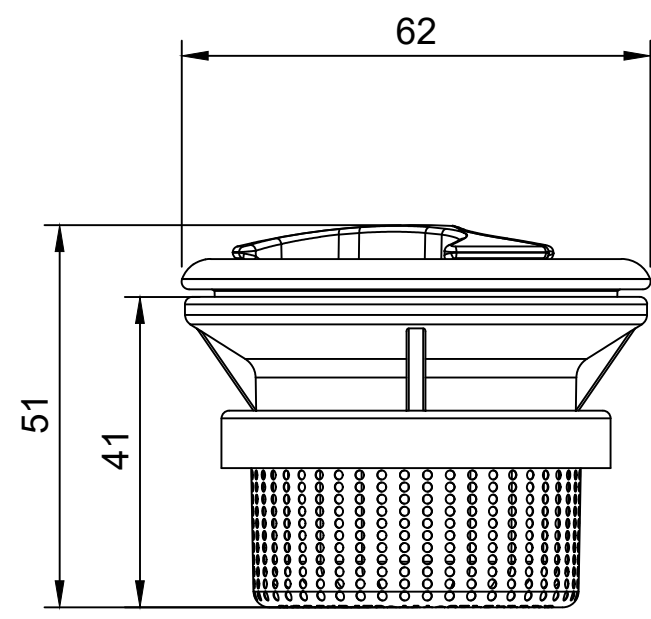


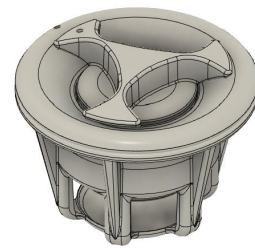
VA 2005 & VA 2005/A



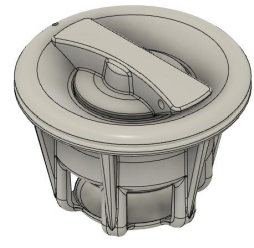
VA 2005 SUP + MESH



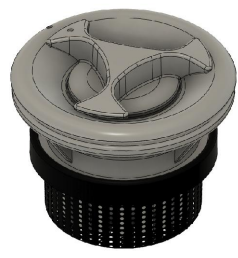
Key for valve
Art. 721 / A942010N



VA 2005



VA 2005/A



VA 2005 SUP + MESH

INSTALLATION

1. Hole required for valve installation $\varnothing 36 \pm 0.5 \text{mm}$.
2. Tightening torque = 30 Nm.
The valve assembly should be re-torqued after 12 hours
3. It is user's responsibility to ensure that any fluids used during the installation or operation are compatible with this valve.


APPLICATION STANDARD ISO 154738:2002(E)

VALVES

VALVES			
VA 2005	KA102800	BLACK	PUSH-PUSH
VA 2005	KA102801	GREY	PUSH-PUSH
VA 2005	KA102802	DARK GREY	PUSH-PUSH
VA 2005/A	KA102815	BLACK	PUSH-PUSH
VA 2005/A	KA102816	GREY	PUSH-PUSH
VA 2005/A	KA102803	DARK GREY	PUSH-PUSH
VA 2005 SUP + MESH	A102870N	GREY	PUSH-PUSH

REVISION

01	02/12/2021	Valve Name
----	------------	------------

Progettato GG	Controllato AA	Cod. Componente SEE TABLE	Data 10/03/2021	Materiale	Massa 0,065 Kg
 SCOPREGA			VA 2005 INFLATION VALVE		
			XA102XXX	Edizione 01	Foglio 1/1