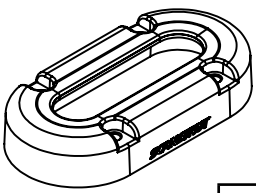
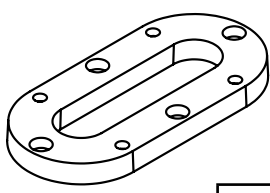
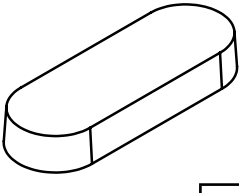
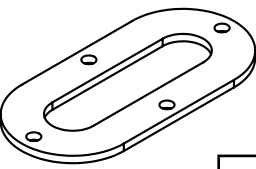
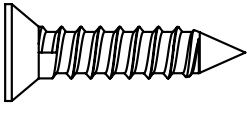
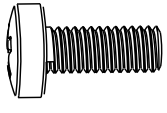
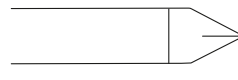
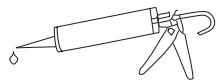

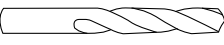
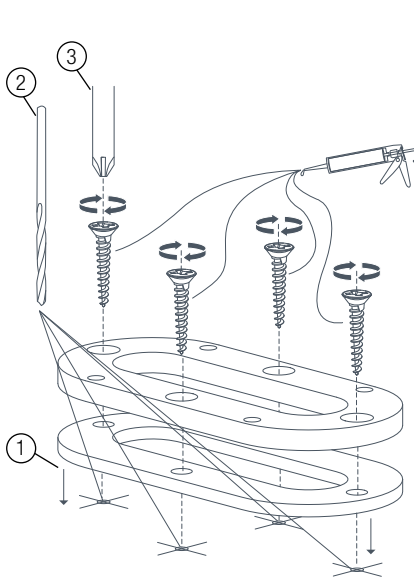


Parts List

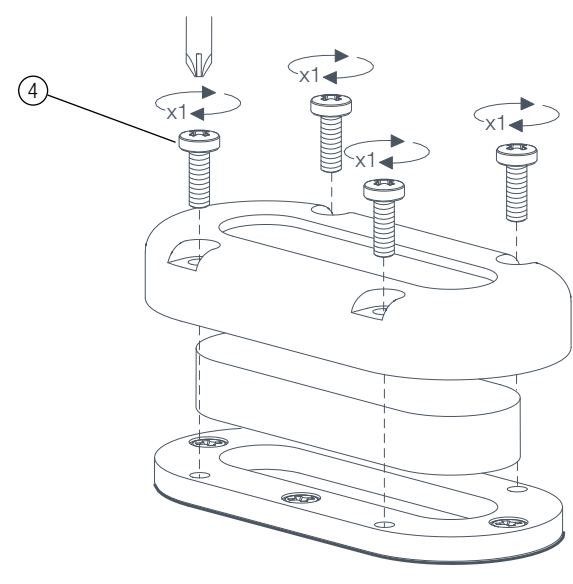
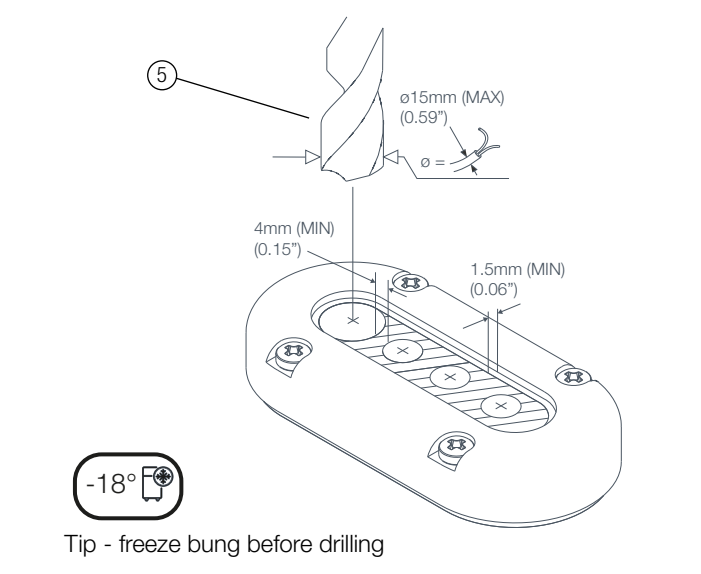
 Top x1	 Base x1	 Bung x1
 Gasket x1	 No.6 x 19mm Screw x4	 Black M4 x 14mm Bolt x4

Tools Required

 Pozi Screwdriver	 Silicone
 ø2.5mm (3/32") ø3mm (1/8") Drill Bit	 Required Cable Hole Drill Sizes Max. ø15mm (19/32")



Material	Drill	Fixing
<b>Soft Material</b> e.g. plywood	2.5mm (3/32")	No.6 Screw (Included)
<b>Hard Material</b> e.g. fiberglass, hardwoods, acrylics	3mm (1/8")	
<b>Metal</b> e.g. Steel, aluminium	4mm (1/8")	<b>Recommended</b> >M4 x 12mm Countersunk Bolt with washer and Nyloc (Not included)

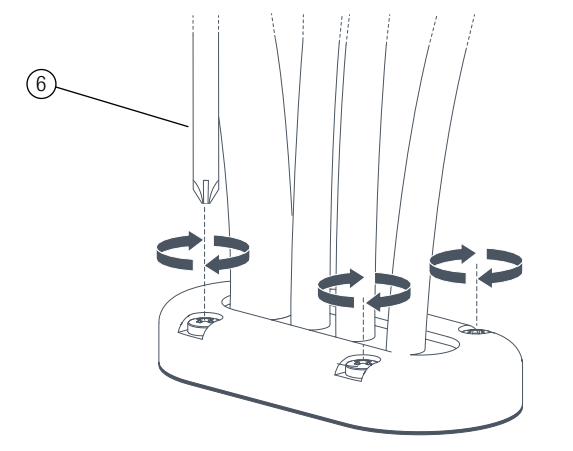
ø15mm (MAX)  
(0.59")

4mm (MIN)  
(0.15")

1.5mm (MIN)  
(0.06")

-18°

Tip - freeze bung before drilling



UK & International  
+44 (0)1392531280  
sales@scanstrut.com

For further installation  
and warranty information  
please visit:  
www.scanstrut.com

USA  
+1 860 308 1416  
usasales@scanstrut.com