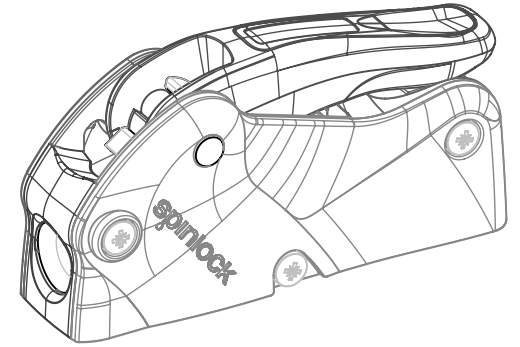
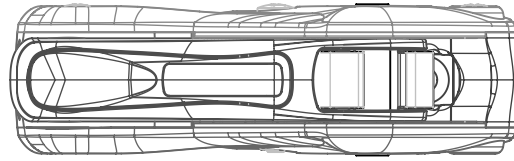
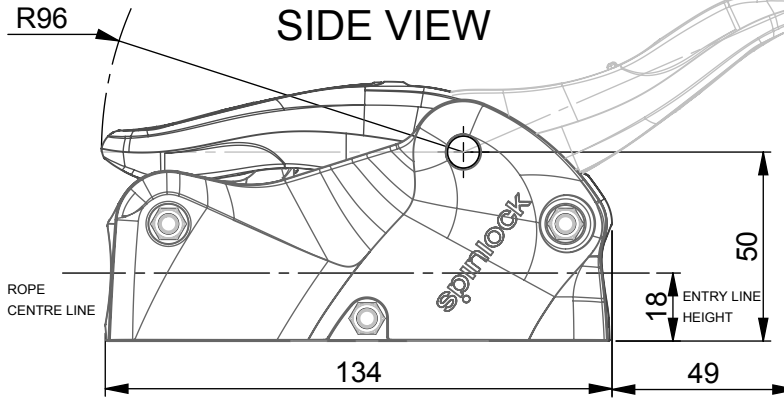
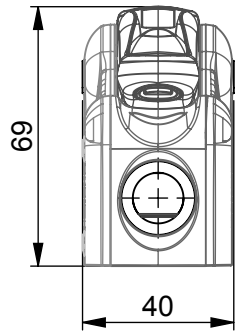


TOP VIEW

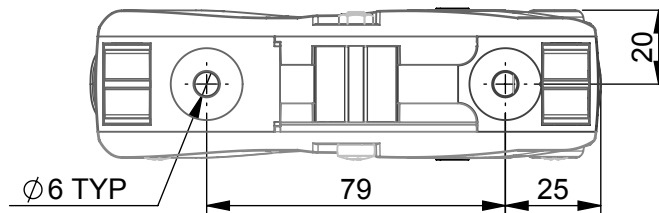


REAR VIEW



ALLOW SUFFICIENT SPACE FRO HANDLE ROTATION.

BOTTOM VIEW



spinlock
BE ADVENTURE-PROOF



WARNING:
IF USING AS A DRILL TEMPLATE, ENSURE PRINTER SETTINGS ARE ADJUSTED TO ACCOUNT FOR THE DRAWING SCALE AND **ALWAYS** CHECK DIMENSIONS BEFORE DRILLING.



COPYRIGHT:
THIS DRAWING IS PROTECTED BY COPYRIGHT. ANY USE IS FORBIDDEN WITHOUT THE WRITTEN CONSENT OF SPINLOCK.

ALL DIMENSIONS IN MM

SCALE PAGE SIZE DATE

1:2 A4 FEB 2018

WEIGHT
282g

FASTENERS
M6 CSK
x 2

PRODUCT CODE

XAS0408/1

XAS0612/1

LINE SIZE

4-8mm

6-12mm

MAX LOAD

450kg

575kg

XAS/1

FOR MORE INFO CONTACT SPT@SPINLOCK.CO.UK