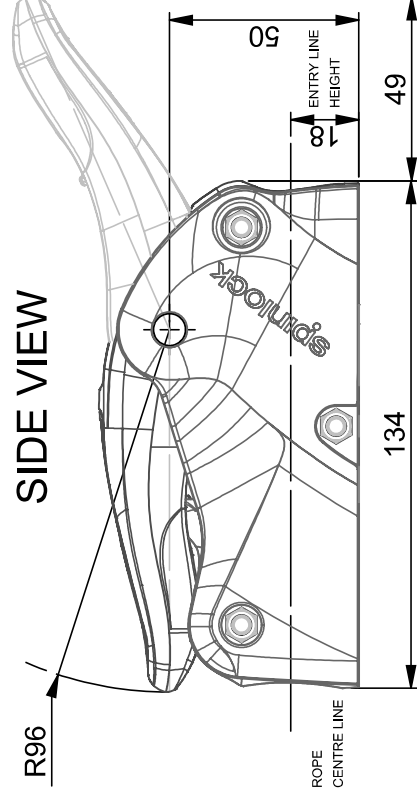


ALLOW SUFFICIENT SPACE FOR HANDLE ROTATION.

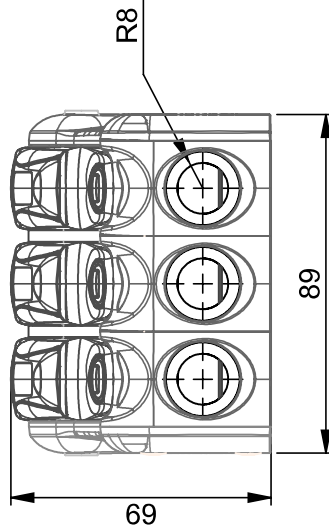
SIDE VIEW



R96

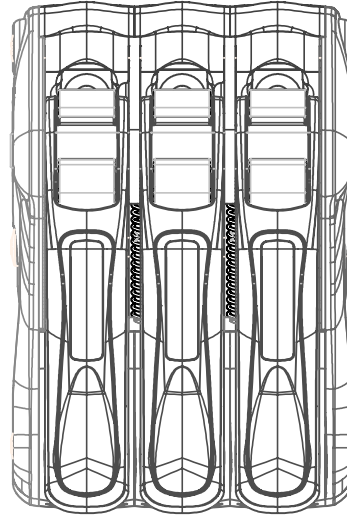
ROPE CENTRE LINE

REAR VIEW

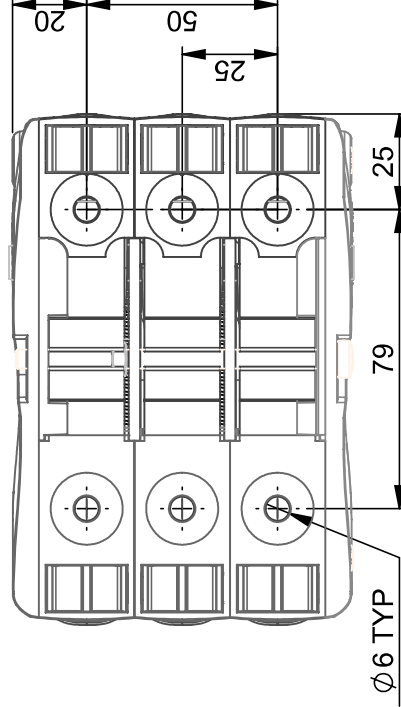


R8

TOP VIEW



BOTTOM VIEW



ALL DIMENSIONS IN MM	DATE
SCALE	FEB 2018
1:2	A4

WEIGHT
449g
FASTENERS
M6 CSK
x 6

PRODUCT CODE	XAS0408/3
XAS0612/3	

LINE SIZE	4-8mm
6-12mm	

MAX LOAD	450kg
575kg	