



# LoPro Bilge Pumps

LOW PROFILE BILGE PUMPS FOR TIGHT SPACES

900 GPH / 3407 LPH

## Designed to bring pumping power to tight spaces.

Rule's LoPro Series Bilge Pumps are only 2.4" (6cm) high. The LP900S model features two automated modes. The first one engages the pump when the water level reaches 2" (5 cm) or 1.3" (3.25 cm) (user choice); and the second one checks for water by briefly turning on the pump every 2.5 minutes. The LP900D model uses a traditional float and/or panel switch for operation.

- **Multiple modes of operation.** The LP900S features two automated modes of operation.
  - **High or low water sensing mode.** The pump starts when water reaches 2" (5 cm). By turning the motor cartridge upside down, the sensor is at 1.3" (3.25 cm)
  - **Electronic automatic mode.** The pump automatically turns on every 2.5 minutes to check for water, and if it's detected the pump stays on until the water is gone.
- **Fully rotating discharge body.** The entire body swivels up to 180°, making the pump extremely easy to install.
- **Threaded discharge nozzle.** Multiple ports are available for this pump.
  - 3/4" straight, 3/4" right angle; 1", 1 1/8" - 19 mm, 25 mm and 28 mm
  - All ports are included in the aftermarket package
- **Backflow prevention.** New tricuspid check valves help prevent backflow.
- **Horizontal or vertical mounting.** The LP900S and LP900D feature a variety of mounting options to accommodate the boat's bilge.



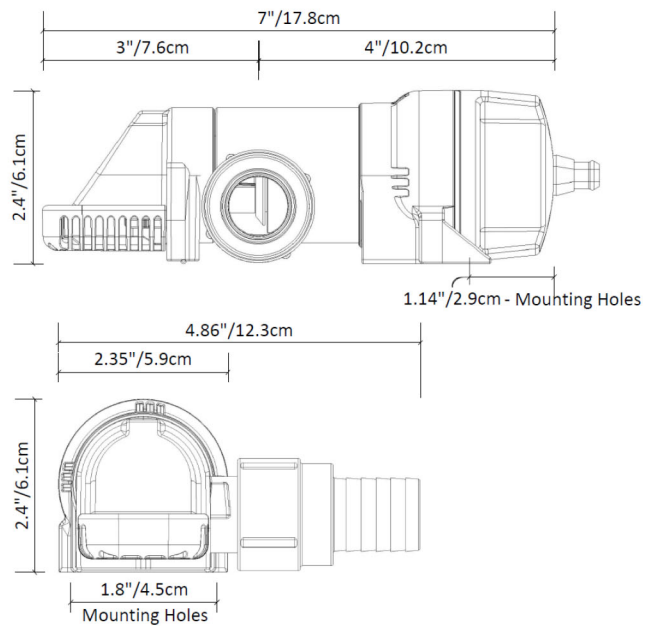
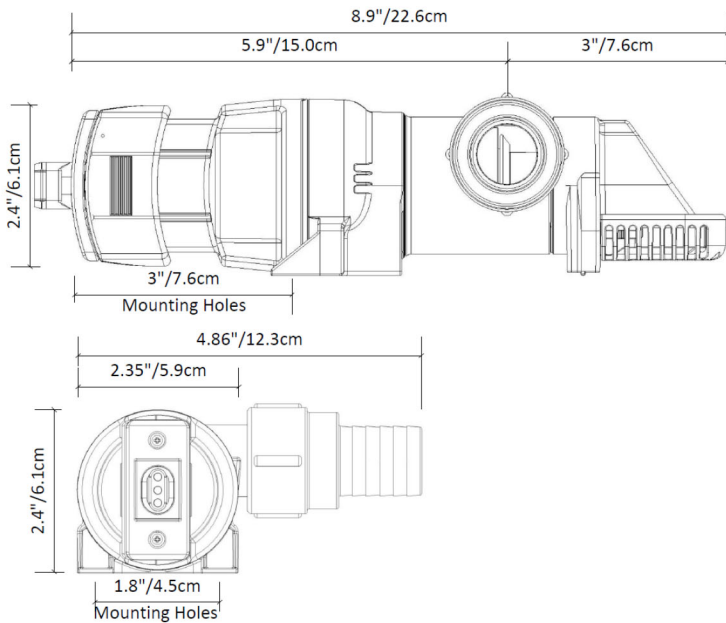
# LoPro Bilge Pumps LOW PROFILE BILGE PUMPS FOR TIGHT SPACES

## Specifications LP900S

Voltage: 12VDC
Flow: 900 GPH (3407 lph) open flow at 12V
Amp Draw: 4A approx
Protection: TCO
Port Configuration: 3/4", 1", 1 1/8" Straight, 90° 3/4"
Backflow preventer valve can be used with straight fittings
Height: 2.4" (6cm)
Length: 9.3" (23.25cm)
Width: 2.4" (6cm) with port upright
UPC: 042237-114075
Model number: LP900S

## Specifications LP900D

Voltage: 12VDC
Flow: 900 GPH (3407 lph) open flow at 12V
Amp Draw: 4A approx
Protection: TCO
Port Configuration: 3/4", 1", 1 1/8" Straight, 90° 3/4"
Backflow preventer valve can be used with straight fittings
Height: 2.4" (6cm)
Length: 7.6" (23.25cm)
Width: 2.4" (6cm) with port upright
UPC: 042237-114082
Model number: LP900D



Xylem, Inc.  
USA  
100 Cummings Center  
Ste. 535-N  
Beverly, MA 01915  
Tel: +1 978 281 0440  
Fax: +1 978 283 2619

Xylem, Inc.  
ENGLAND  
Bingley Road, Hoddesdon  
Hertfordshire EN11 0BU  
Tel: +44 (0) 1992 450145  
Fax: +44 (0) 1992 467132

Xylem, Inc.  
CHINA  
30/F Tower A  
100 Zunyi Road  
Shanghai, China 200051  
Tel: +86-21-2208-2888  
Fax: +86-21-2208-2999

Xylem, Inc.  
GERMANY  
Oststrasse 28  
22844 Norderstedt  
Tel: +49-40-53 53 73-0  
Fax: +49-40-53 53 73-11

Xylem, Inc.  
ITALY  
Via Tommaseo, 6  
20059 Vimercate, Milano  
Tel: +39 039 685 2323  
Fax: +39 039 666 307